



# Executive Desk

The following information outlines your stand package inclusions

## Walls

2.4 x 0.6m Octanorm frame structure constructed using aluminium frames with a white MDF benchtop which includes two centre holes for wiring pass through, flush with frame build.

## Furniture

4 x Bar stool

Please refer to furniture flyer to confirm your colour selection

## Audio Visual –Optional Extra

If you are interested in any Audio Visual equipment, please contact your Harry the Hirer representative.

## Signage

1 x Double sided Fascia sign

Please refer to signage schedule (page 2) for specifications

All print ready artwork must be received & approved by **Friday 13<sup>th</sup> September**

## Power

1 x single 4amp power point

## Flooring

Venue Flooring

## Your Harry's contact

Melissa Hinton

02 9666 8699

[melissah@harrythehirer.com.au](mailto:melissah@harrythehirer.com.au)



**PACKAGE INCLUSIONS**

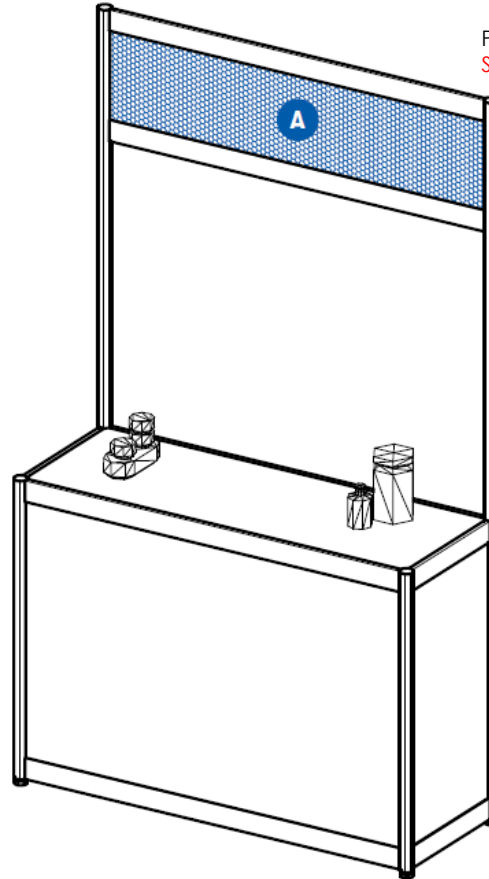


# Signage

Please refer to the below dimensions for your included signage. Artwork can be submitted via email to [melissah@harrythehirer.com.au](mailto:melissah@harrythehirer.com.au)

Your fascia can include an EPS or PDF version of your logo, otherwise have the option to fully customize this panel sized at 1374mmW x 320mmH.

Please ensure artwork is submitted by the deadline of **Friday 13<sup>th</sup> September**



## Signage Schedule

| Sign Number | Description            | Substrate       | Finish        | Width   | Height | Qty | Comments |
|-------------|------------------------|-----------------|---------------|---------|--------|-----|----------|
| A           | 3mm Forex Single Sided | 3mm Forex White | Digital Print | 1374 mm | 320 mm | 1   |          |

Grand total (items)

1



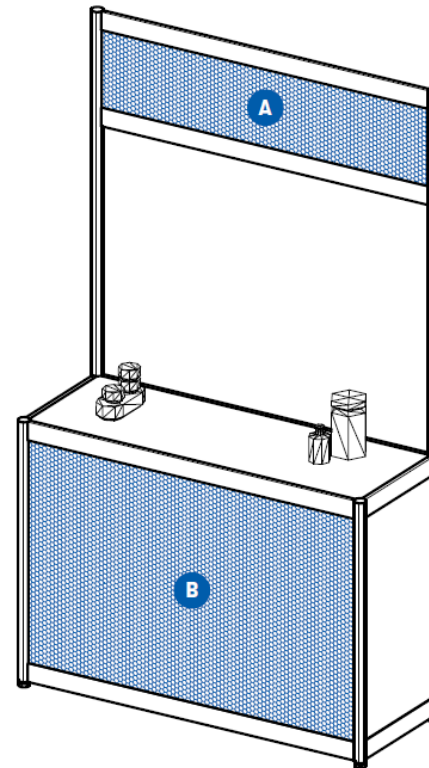
### Signage Upgrade

Exhibitors have the opportunity to upgrade your package to include a digitally printed counter as depicted below.

If you are interested in taking up this option or would like more information, please contact your Harry's representative.

Melissa Hinton  
02 9666 8699  
[melissah@harrysthehiring.com.au](mailto:melissah@harrysthehiring.com.au)

# Signage Upgrade Options



## Signage Schedule

| Sign Number | Description            | Substrate       | Finish        | Width   | Height | Qty | Comments |
|-------------|------------------------|-----------------|---------------|---------|--------|-----|----------|
| A           | 3mm Forex Single Sided | 3mm Forex White | Digital Print | 1374 mm | 320 mm | 1   |          |
| B           | 3mm Forex Single Sided | 3mm Forex White | Digital Print | 1374 mm | 880 mm | 1   |          |

Grand total (items)

2